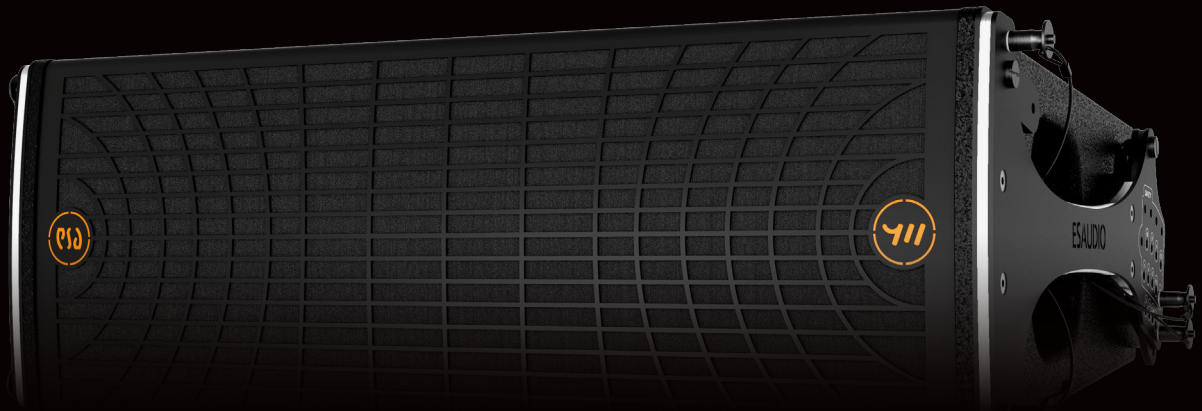




YM 88-A & YM 18-A
Line-Array System





ENGINEERING SOUND AUDIO

YM 88-A & YM 18-A

Line-Array System

NEXT-GEN HYBRID TECHNOLOGY

Combines ribbon transducers and compression drivers

Delivers ultra-clear sound with exceptional SPL over 100+ meters

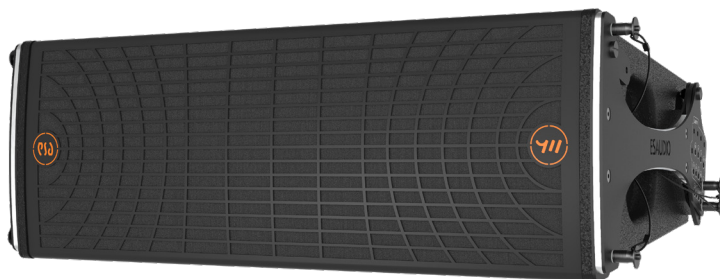
Tailored for stadiums, theaters, concert halls, churches

INTEGRATED POWER & INTELLIGENCE

Built-in Amplifier + DSP per cabinet with FIR Filter

Remote control via Armonía+ software
Full compatibility with Analog, AES67, and Dante

Every speaker has dedicated DSP & amplifier channel



POWER SPECIFICATIONS

Voltage: 100-240 V $\pm 10\%$, 50-60 Hz
(Range: 90-264 V)

Power Usage: Single:
XY | Four units: 4XY

Mains: Max 4 cabinets daisy-chained





YM 88-A & YM 18-A Line-Array System

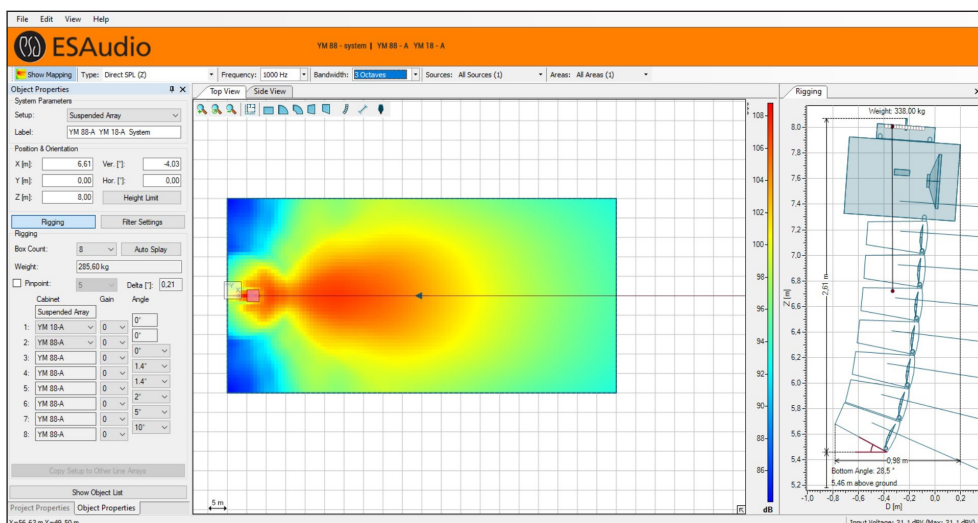
RIGGING INSTRUCTIONS YM 88-A

- Insert pin at desired splay angle
- Hook cabinet tongue onto pin
- Insert safety pin to lock
- Ensure all pins are fully secured
- Use EASE Focus for top bar rigging point (marked)

SMART SYSTEM CONTROL

Armonía+: Pre-configured setups, rapid deployment, FIR filtering

EASE Focus: Pre-visualization, unit planning, angle optimization





YM 88-A & YM 18-A

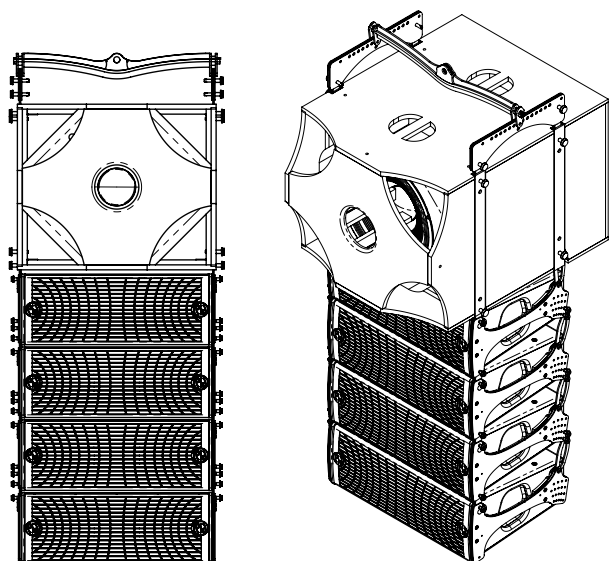
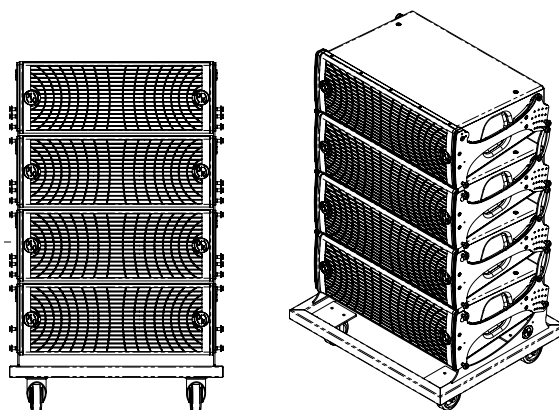
Line-Array System

TRANSPORT & SETUP MADE EASY

4 units per dolly – EU transport compliant

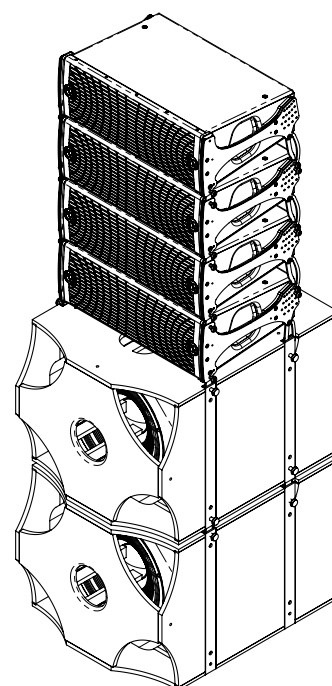
0–10° transportable tilt – no recalibration needed

Fast rigging/dismantling



MODULAR CONFIGURATIONS

Rigging: Up to 6x YM 88-A + 3x YM 18-A



MODULAR CONFIGURATIONS

Vertical array limit: 12x YM 88-A,

subwoofers rigging separately (max: 6)



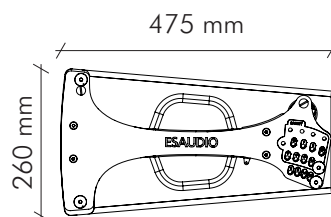
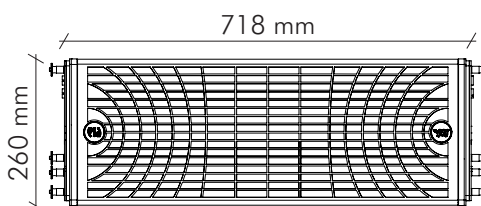
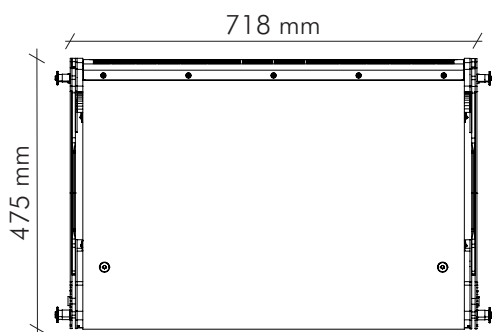


YM 88-A

Line-Array System

YM 88-A SPECIFICATION

ACOUSTICA	
FREQUENCY RESPONSE	52 Hz - 20 kHz (± 3 dB)
SENSITIVITY	AES 112 dB (1W @ 1m)
NOMINAL	135 dB
MAXIMUM SOUND PRESSURE	141 dB peak
DISPERSION ANGLE	Horizontal: 160 degrees (-6dB); Vertical: 10 degrees
Transducer low	2x8" (200 mm) - 2" (52mm)
Tranducer mid	1x3.5" driver
Transducer hf	1x2.56" driver ; 1x5" ribbon tweeter
AMPLIFIER/DSP	
Amplifier power	1500W/800W/400W/200W (peak)
Input sensitivity (LINE)/Conector	+4 dBu XLR (IN/OUT); 2xNE8 (LAN CAT5); AES/EBU
Crossover frequency	400 Hz/2900 Hz/6300 Hz
Protections	thermal drift, RMS
Limiter	Software limiter
Cooling	Passive cooling/Fan
Operating voltage	115/230, 50-60 Hz
PHYSICAL	
SIZE (NET)	(W) 718 mm x (H) 260 mm/180 mm x (D) 475 mm (W) 28.27 inch x (H) 10.24 inch/7.09 inch x (D) 18.7 inch
WEIGHT (NET)	34.6 kg/ 76.28 lbs
Shipping data	(W) 800 mm x (H) 345 mm x (D) 565 mm (W) 31.5 inch x (H) 13.58 inch x (D) 22.24 inch 39kg/ 85.98lbs
Cabinet	18mm; 15mm plywood polyurea coating





YM 18-A

Line-Array System

YM 18-A SPECIFICATION

ACOUSTICA	
FREQUENCY RESPONSE	30 Hz - 200 Hz (± 3 dB)
SENSITIVITY	AES 98 dB (1W @ 1m)
NOMINAL	132.8 dB
MAXIMUM SOUND PRESSURE	135.8 dB peak
DISPERSION ANGLE	360 degrees
Transducer sub	1x18" (460 mm) - 4" (100mm)
Enclosure Type	Bass-Reflex
AMPLIFIER/DSP	
Amplifier power (low frequencies)	2400W (peak)
Input sensitivity (LINE)/Conector	+4 dBu XLR (IN/OUT); 2xNE8 (LAN CAT5); AES/EBU
Crossover frequency	200 Hz
Protections	thermal drift, RMS
Limiter	Software limiter
Cooling	Passive cooling/Fan
Operating voltage	115/230, 50-60 Hz
PHYSICAL	
SIZE (NET)	(W) 718 mm x (H) 598 mm x (D) 873 mm (W) 28.27 inch x (H) 23.54 inch x (D) 34.37 inch
WEIGHT (NET)	87 kg/ 191.8lbs
Shipping data	(W) 810 mm x (H) 715 mm x (D) 930 mm (W) 31.89 inch x (H) 28.15 inch x (D) 36.61 inch 94 kg/ 207.24lbs
Cabinet	32mm; 18mm plywood polyurea coating

